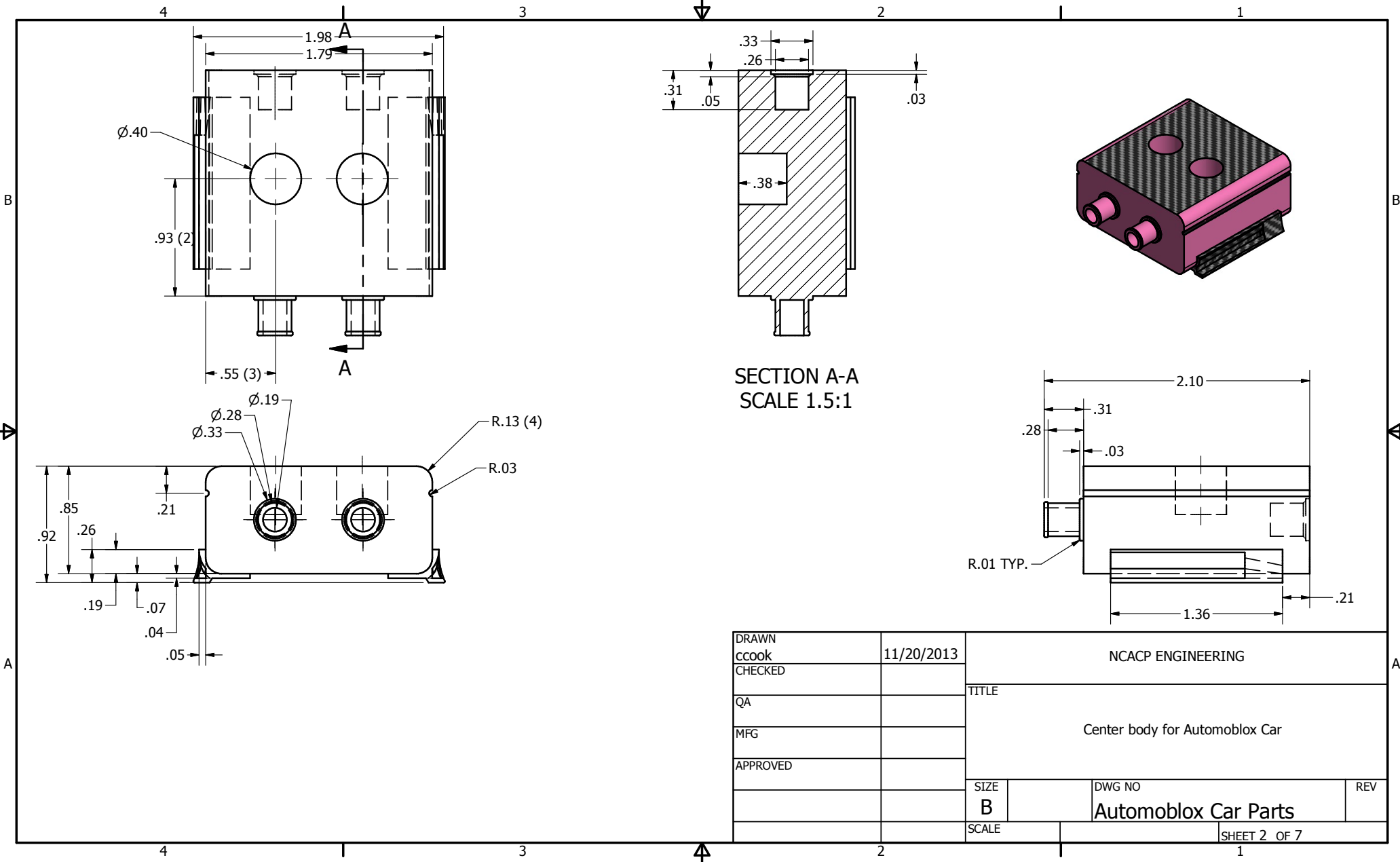
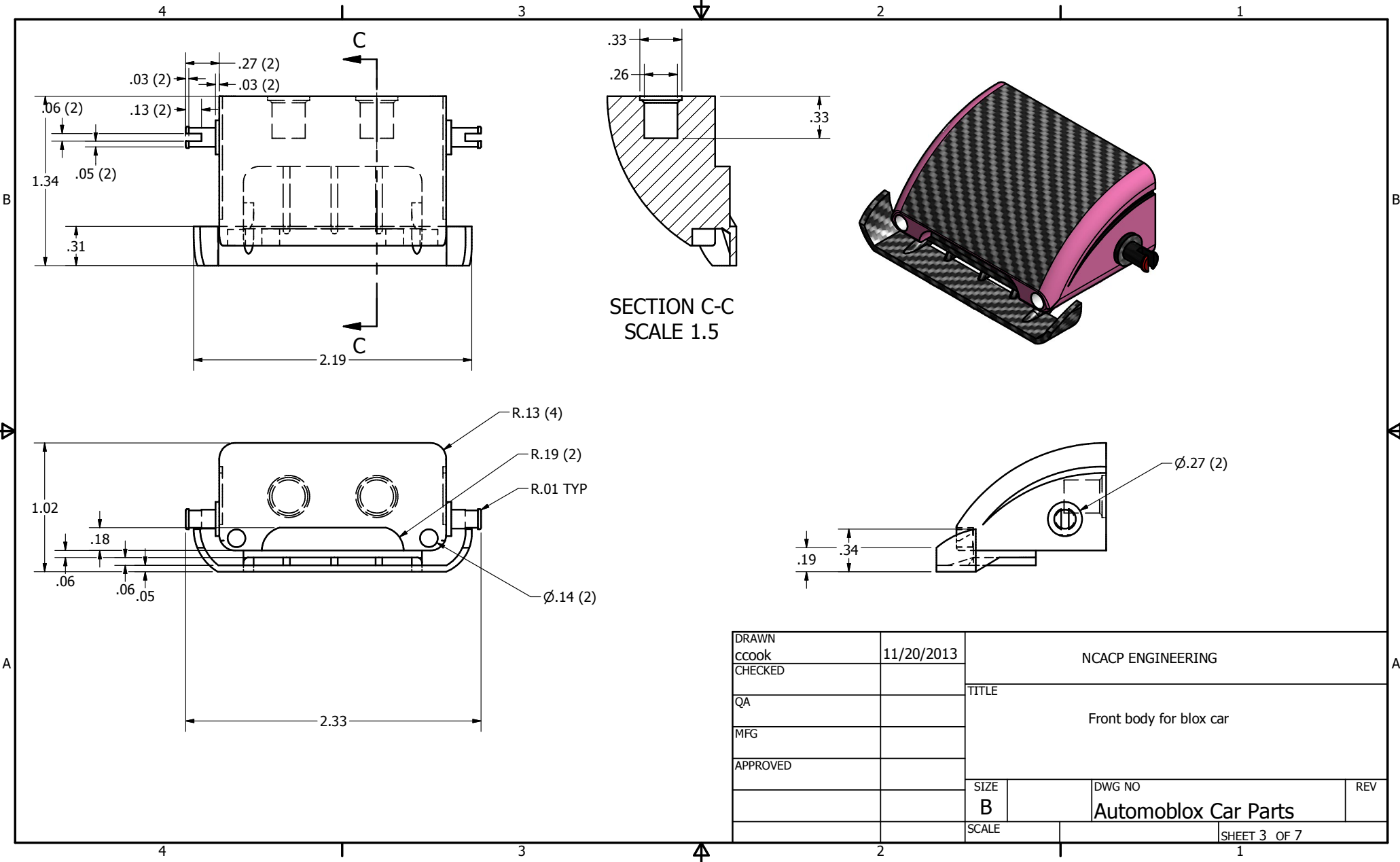


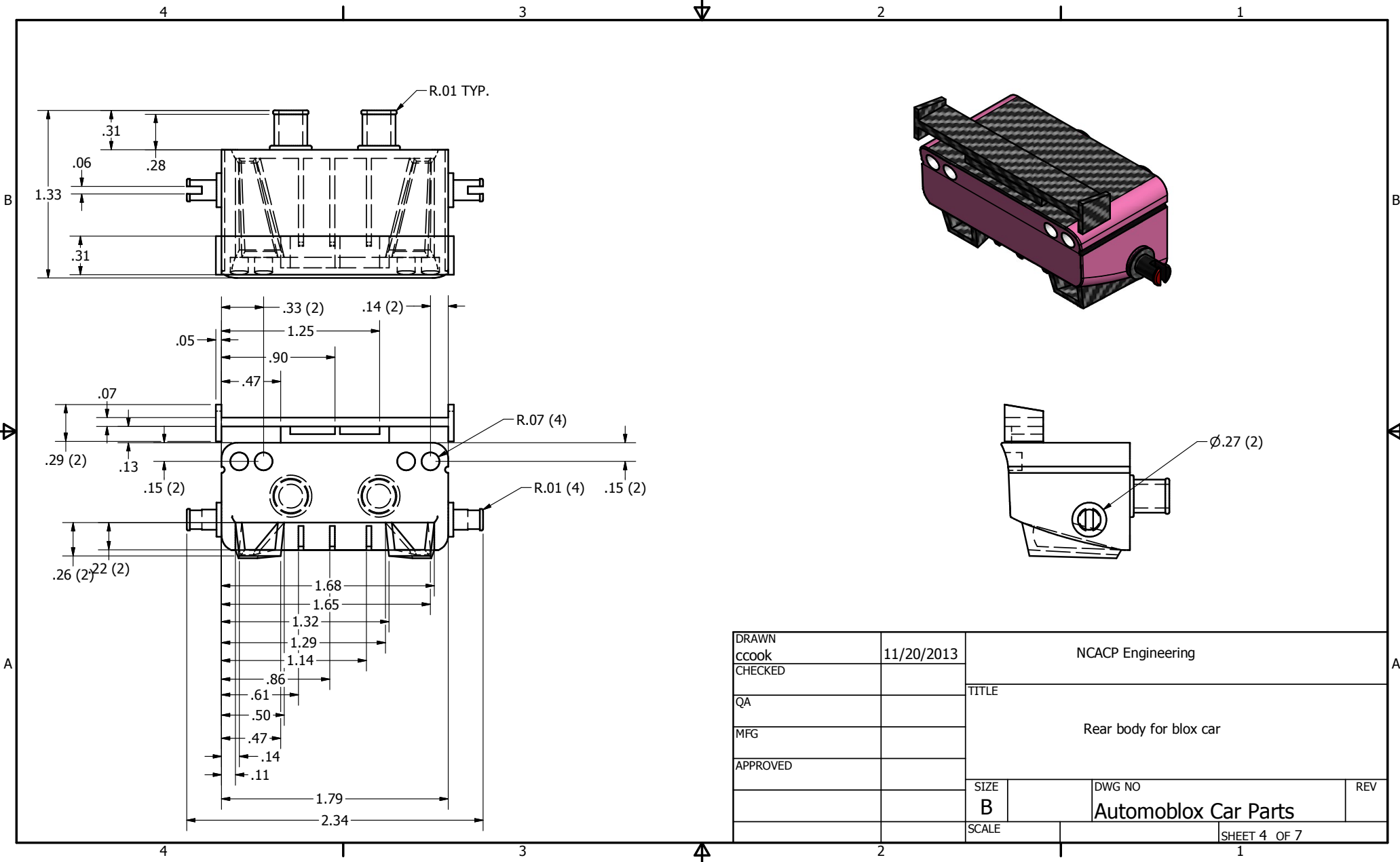
DRAWN	ccook	11/20/2013		
CHECKED			TITLE	
QA				
MFG				
APPROVED				
		SIZE	DWG NO	REV
		B	Automoblox Car Parts	
		SCALE	SHEET 1 OF 7	



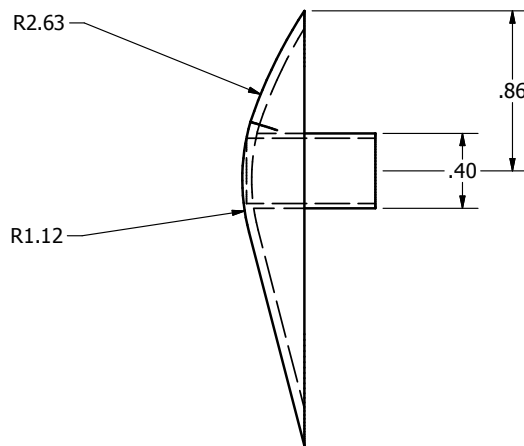
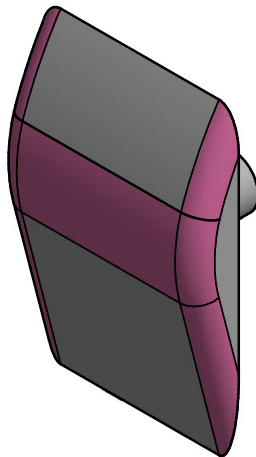
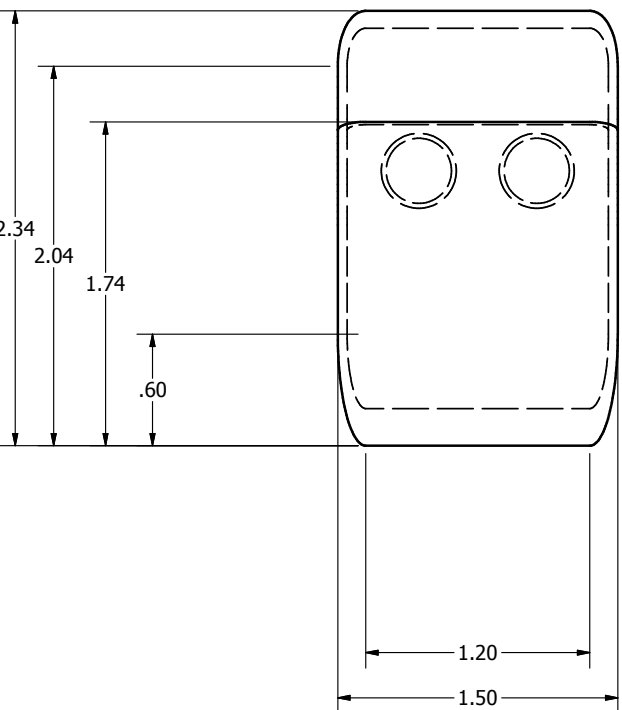
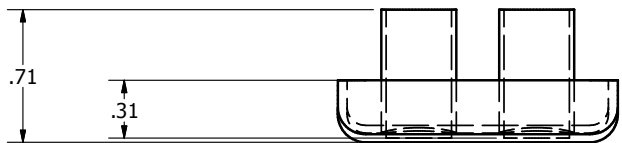
DRAWN ccook	11/20/2013	NCACP ENGINEERING		
CHECKED		TITLE		
QA		Center body for Automoblox Car		
MFG		SIZE B	DWG NO	REV
APPROVED		SCALE	Automoblox Car Parts	
			SHEET 2 OF 7	



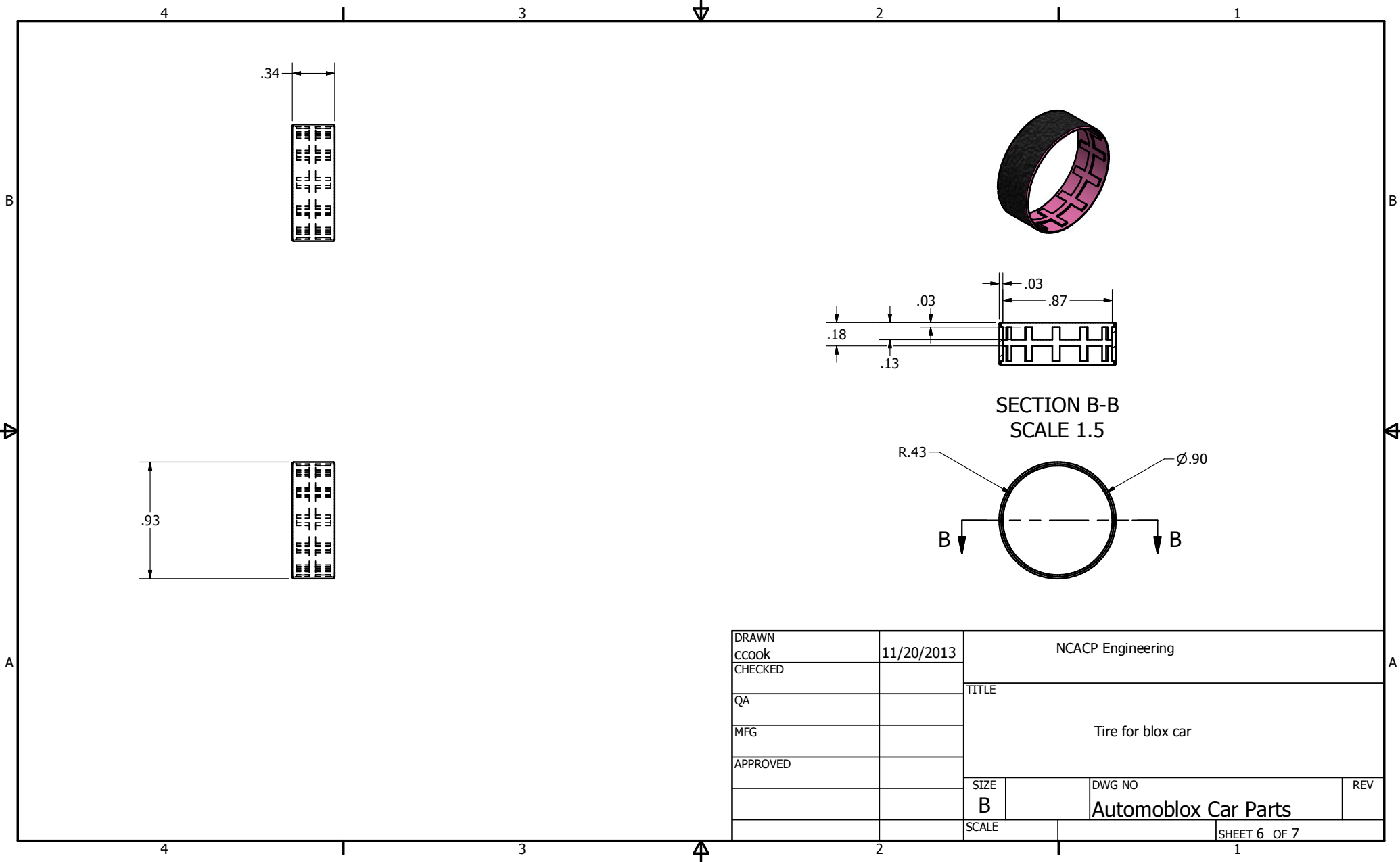
DRAWN	11/20/2013	NCACP ENGINEERING		
CHECKED		TITLE		
QA		Front body for blox car		
MFG		SIZE	DWG NO	REV
APPROVED		B	Automoblox Car Parts	
		SCALE	SHEET 3 OF 7	



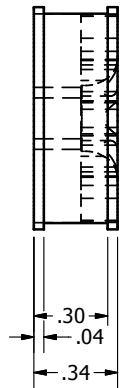
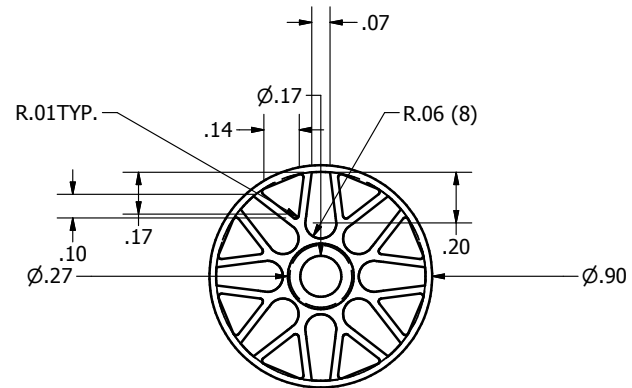
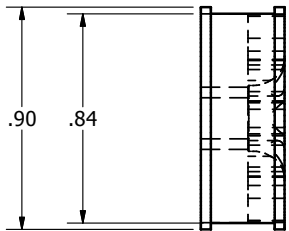
DRAWN	11/20/2013	NCACP Engineering		
ccook		TITLE		
CHECKED		Rear body for blox car		
QA		SIZE	DWG NO	REV
MFG		B	Automoblox Car Parts	
APPROVED		SCALE	SHEET 4 OF 7	



DRAWN	ccook	11/20/2013	NCACP Engineering	
CHECKED			TITLE	
QA			Canopy for blox car	
MFG			SIZE	DWG NO
APPROVED			B	Automoblox Car Parts
			SCALE	REV
				SHEET 5 OF 7



DRAWN	11/20/2013	NCACP Engineering		
ccook		TITLE		
CHECKED		Tire for blox car		
QA		SIZE	DWG NO	REV
MFG		B	Automoblox Car Parts	
APPROVED		SCALE	SHEET 6 OF 7	



DRAWN	11/20/2013	NCACP Engineering		
ccook		TITLE		
CHECKED		Rim for blox car		
QA		SIZE	DWG NO	REV
MFG		B	Automoblox Car Parts	
APPROVED		SCALE	SHEET 7 OF 7	

This document was created with Win2PDF available at <http://www.win2pdf.com>.
The unregistered version of Win2PDF is for evaluation or non-commercial use only.
This page will not be added after purchasing Win2PDF.